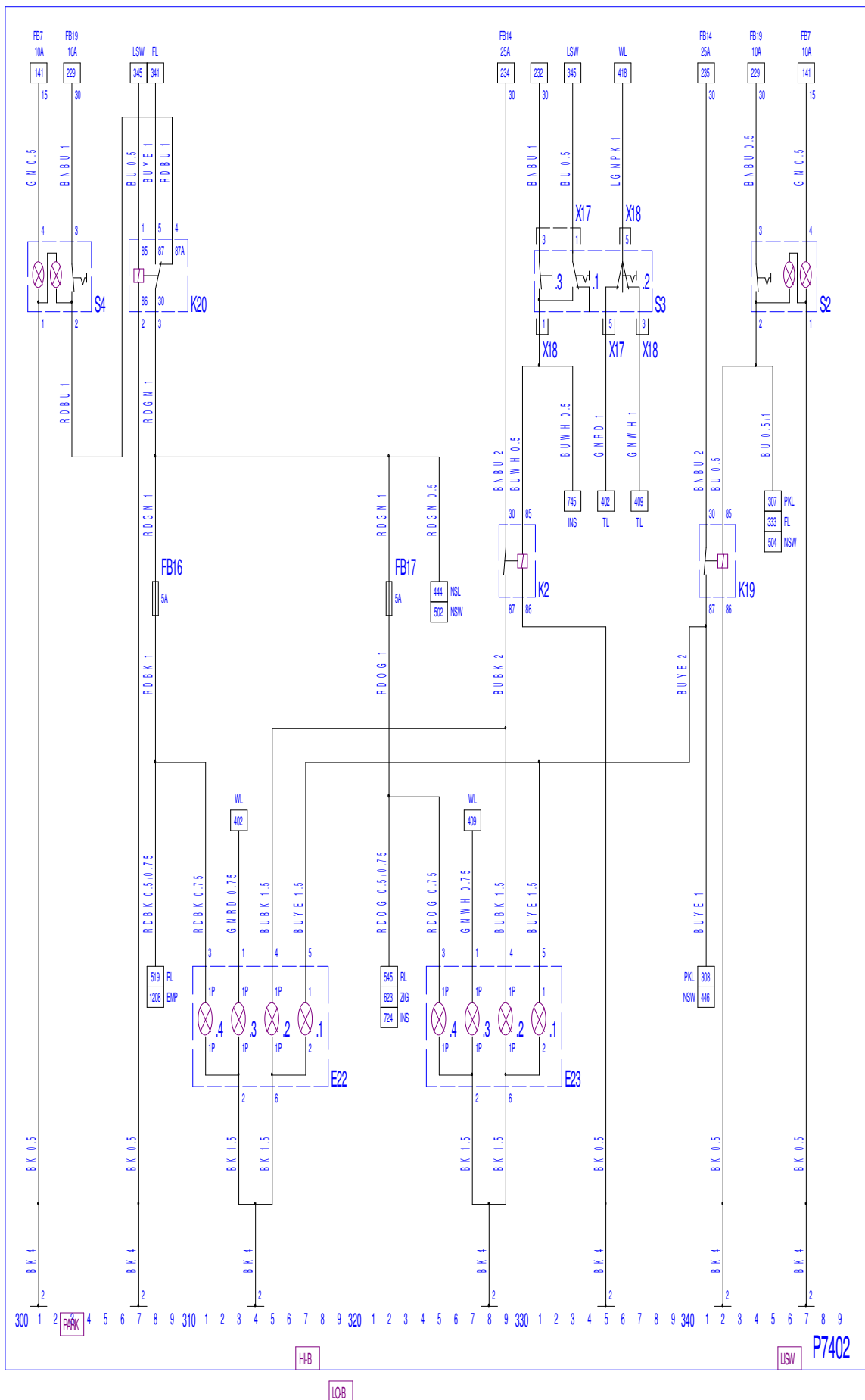




Speedster/VX220, model year 2003



**Systems**

|      |              |      |               |
|------|--------------|------|---------------|
| HI-B | High beam    | LO-B | Low beam      |
| LISW | Light switch | PARK | Parking lamps |

**Components**

|       |                  |      |                               |
|-------|------------------|------|-------------------------------|
| E22   | Headlamp - Left  | FB17 | Fuse                          |
| E22.1 | Low beam         | K2   | Relay - High beam             |
| E22.2 | High beam        | K19  | Relay - Low beam              |
| E22.3 | Turn signal lamp | K20  | Relay - Parking lamp          |
| E22.4 | Parking lamp     | S2   | Switch unit - Light           |
| E23   | Headlamp - Right | S3   | Switch unit - Steering column |
| E23.1 | Low beam         | S3.1 | Switch - High beam            |
| E23.2 | High beam        | S3.2 | Switch - Turn signal          |
| E23.3 | Turn signal lamp | S3.3 | Switch - Headlamp flash       |
| E23.4 | Parking lamp     | S4   | Switch - Parking lamp         |
| FB16  | Fuse             |      |                               |

**Grounding Points**

|   |         |
|---|---------|
| 2 | Battery |
|---|---------|

**Abbreviations**

|      |                  |     |                      |
|------|------------------|-----|----------------------|
| 10A  | 10 Ampere        | INS | Instrument           |
| 15   | Ignition voltage | LSW | Light switch         |
| 25A  | 25 Ampere        | NSL | Fog lamps, rear      |
| 30   | Constant voltage | NSW | Fog lamps, front     |
| EMP  | Radio            | PKL | Parking lamps        |
| FB7  | Fuse FB7         | RL  | Rear Lamps           |
| FB14 | Fuse FB14        | TL  | Turn signal lamps    |
| FB19 | Fuse FB19        | WL  | Hazard warning lamps |
| FL   | Front Lamps      | ZIG | Cigarette lighter    |

**Color codes**

|       |              |        |                    |
|-------|--------------|--------|--------------------|
| BK    | Black        | GN/RD  | Green / Red        |
| BN/BU | Brown / Blue | GN/WH  | Green / White      |
| BU    | Blue         | LGN/PK | Light Green / Pink |
| BU/BK | Blue / Black | RD/BK  | Red / Black        |

BU/WH Blue / White  
BU/YE Blue / Yellow  
GN Green

RD/BU Red / Blue  
RD/GN Red / Green  
RD/OG Red / Orange